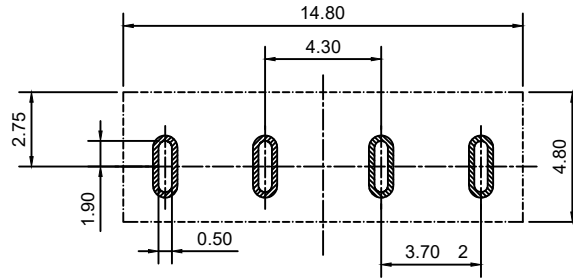
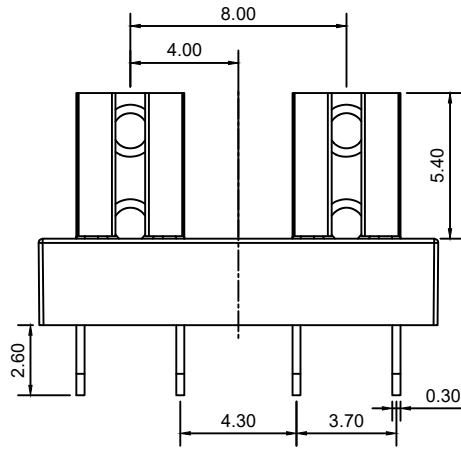
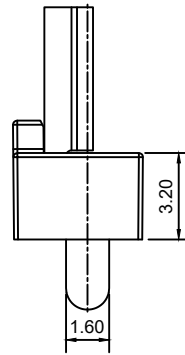
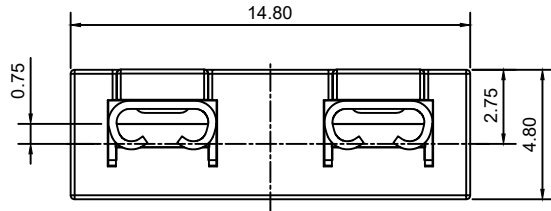


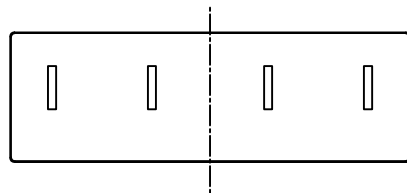
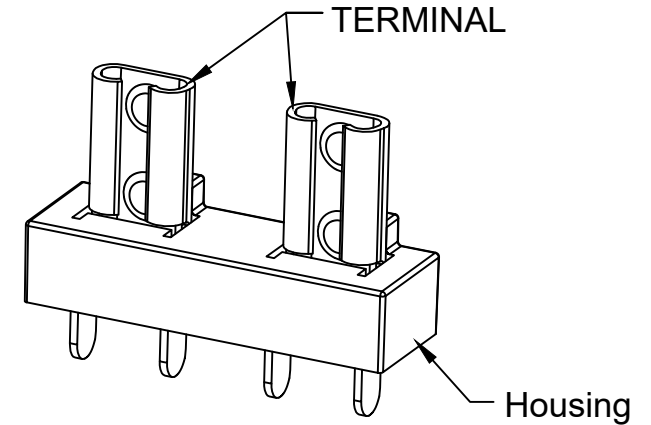
RoHS

REV	ECN NO.	DESCRIPTION	DESIGN	APPROVAL	DATE
A1	NEW	更换图框			2023.11.25

Product Characteristics
 Blocks and Clips for Blade Fuses
 Compatible Fuses :Automotive Blade Fuses
 Electrical Specifications
 Rated Voltage: 500 V
 Rated Current: From 15 to 30 A
 Molded Parts
 Insulation Block:
 Black Thermoplastic PET (UL94 V-0)
 and PA66 (UL94 V-0)
 Metal Parts PCB Terminals: Tin Plated Cu Alloy
 Electrical
 Insulation Resistance:
 10,000 Megaohm Minimum at 500 VDC
 Contact Resistance: $\leq 5 \text{ m}\Omega$ Maximum
 Ambient Temperature: $-40 \text{ }^\circ\text{C}$ to $125 \text{ }^\circ\text{C}$



TOP VIEW P.C.B. LAYOUT



X. \pm 0.50	X. $^\circ$ \pm	PART NO: XF-506P	XFCN 兴飞连接器		
.X \pm 0.25	.X $^\circ$ \pm				
.XX \pm 0.15	.XX $^\circ$ \pm	TITLE: Mini Auto Fuse Holder	0769-82001899		
.XXX \pm 0.10	.XXX $^\circ$ \pm		www.xfconn.com		
UNITS:	mm		DWG NO: /		
THESE DRAWINGS AND SPECIFICATIONS ARE THE PROPERTY OF XFCN AND SHALL NOT BE REPRODUCED, COPIED OR CUED IN ANY MANNER WITHOUT THE PRIOR WRITTEN CONSENT OF XFCN		APPD		VIEW	
		CHKD		SCALE	SHEET
		DRAW	Wang	NONE	REV
		DATE	2024.02.22		1:1