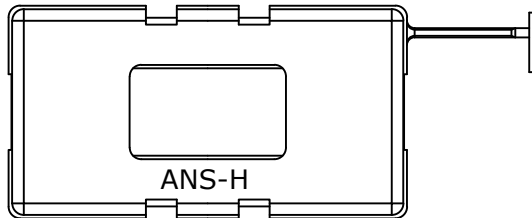
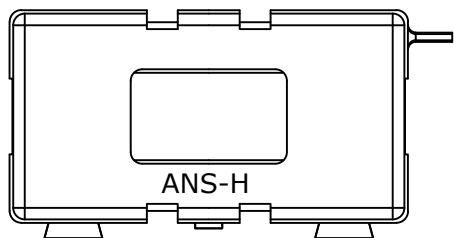
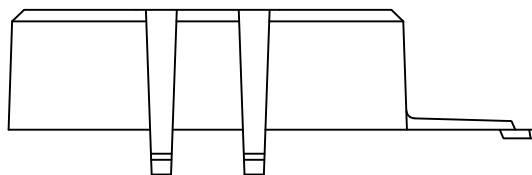
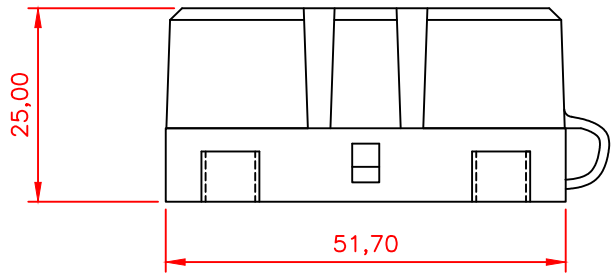
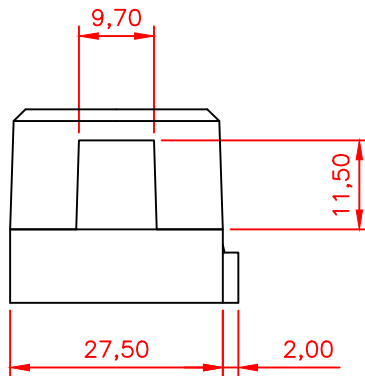


# RoHS

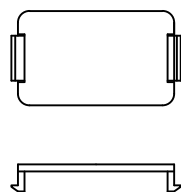
REV	ECN NO.	DESCRIPTION	DESIGN	APPROVAL	DATE
A1	NEW	更换图框			2023.11.25



- NOTES:
- material:  
A, Contact: Steel 304  
B, body: PA 94-V0;  
C, cover: PC 94-V0;
  - removed burrs and sharp edge.
  - For ANF、ANG、ANS fuse.
  - Suitable rated current: 58VDC 200A.
  - RoHS COMPLIANT.
  - The fuse holder is capable of functioning individually or in multiple sets;
  - Mounting torque:4.5Nm



window cover



X.±0.50	X.°±
.X±0.25	.X°±
.XX±0.15	.XX°±
.XXX±0.10	.XXX°±
UNITS:	mm
THESE DRAWINGS AND SPECIFICATIONS ARE THE PROPERTY OF XFCN AND SHALL NOT BE REPRODUCED, COPIED OR CUED IN ANY MANNER WITHOUT THE PRIOR WRITTEN CONSENT OF XFCN	

PART NO:		ANS-H		<b>XFCN</b> 兴飞连接器	
TITLE:		小号螺栓式汽车保险丝座		0769-82001899	
				www.xfconn.com	
				DWG NO: /	
APPD		VIEW			
CHKD		SCALE	SHEET	REV	
DRAW	Wang	NONE	1:1	A1	
DATE	2024.01.20				