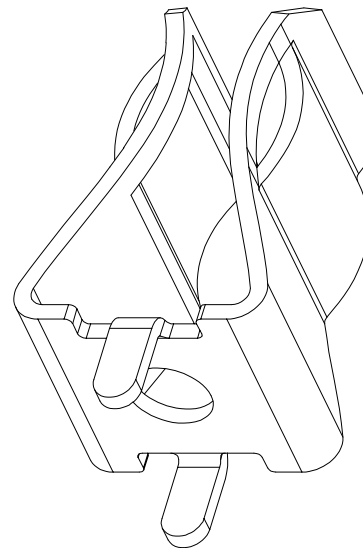
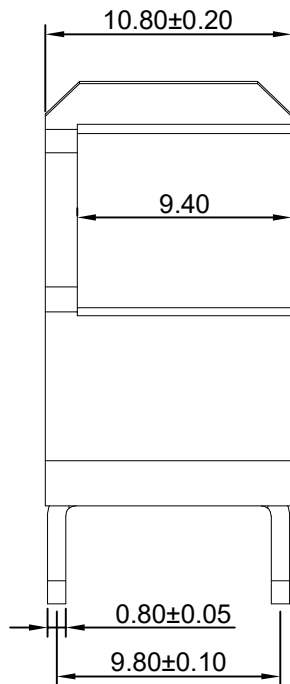
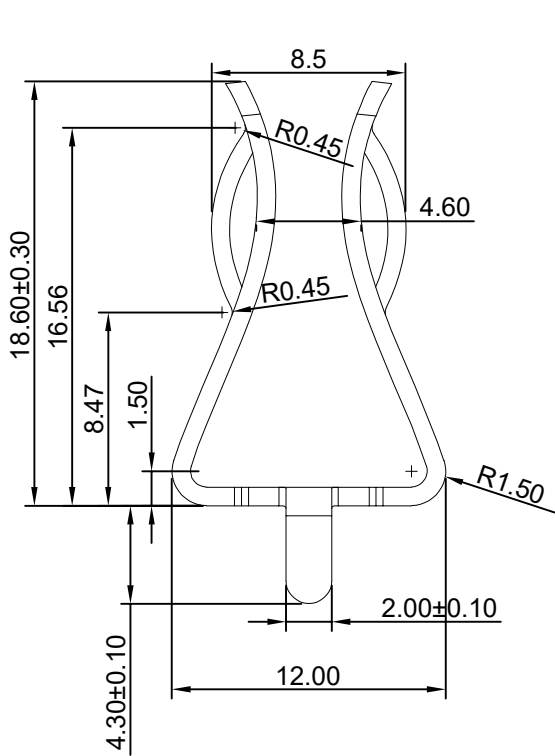
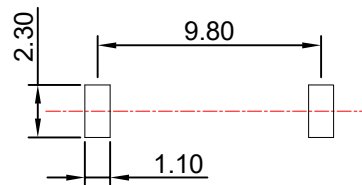


RoHS

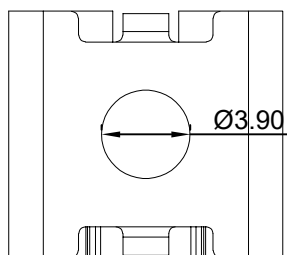
REV	ECN NO.	DESCRIPTION	DESIGN	APPROVAL	DATE
A1	NEW	更换图框			2024.04.17



3D REFER TO



- 技术数据:
- 1.材质: 黄铜, T=0.80MM
 - 2.表面处理: 镀镍
 - 3.去除毛刺和锋利边缘
 - 4.适用于10x38mm保险丝管
 - 5.额定电流: 30A
 - 6.符合ROHS标准



适用线路板(PCB LAYOUT)

X.±0.50	X.°±	PART NO: XF-008		XFCN 兴飞连接器		
.X±0.25	.X°±	TITLE: 保险丝夹 10X38mm 黄铜 镀镍				
.XX±0.15	.XX°±	APPD		0769-82001899		
.XXX±0.10	.XXX°±	CHKD		www.xfconn.com		
UNITS:	mm	DRAW		DWG NO: /		
THESE DRAWINGS AND SPECIFICATIONS ARE THE PROPERTY OF XFCN AND SHALL NOT BE REPRODUCED, COPIED OR CUED IN ANY MANNER WITHOUT THE PRIOR WRITTEN CONSENT OF XFCN		DATE		VIEW		
		APPD		SCALE		SHEET
		CHKD		SCALE		
		DATE		NONE	1/1	
		DATE		A1		