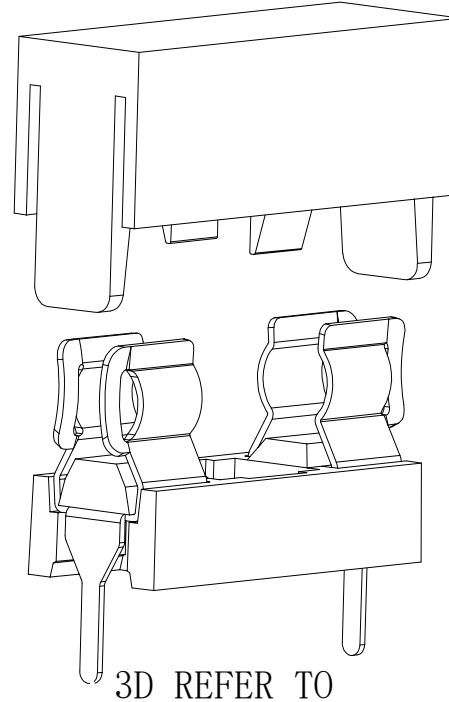
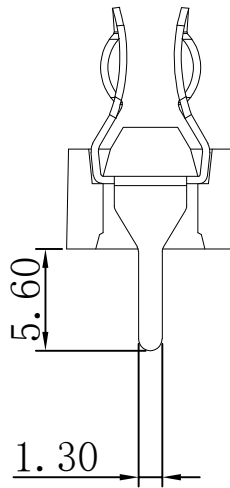
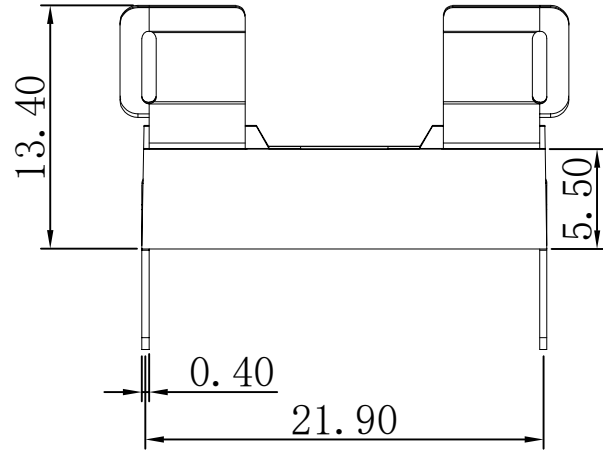
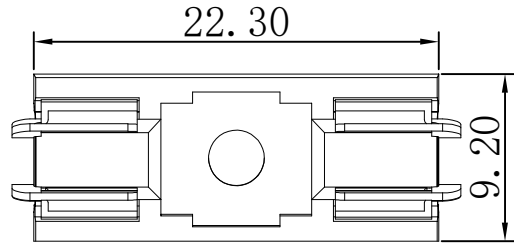


# RoHS

REV	ECN NO.	DESCRIPTION	DESIGN	APPROVAL	DATE
A1	NEW	更换图框			2024.04.17



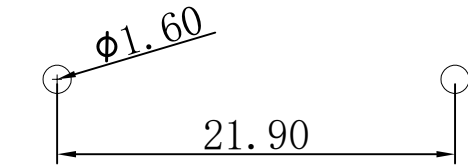
### TECHNICAL CHARACTERISTICS

**MATERIAL**  
 INSULATOR: PA6/66  
 FLAMMABILITY RATING: UL94V0  
 COLOR: Yellow  
 CONTACT / PLATING: COPPER ALLOY / Ni+Sn

**ENVIRONMENTAL**  
 OPERATING TEMPERATURE: -30°C UP TO +120°C  
 COMPLIANCE: LEAD FREE AND ROHS

<b>ELECTRICAL</b>	UL	VDE
CURRENT RATING:	15A	6,3A
WORKING VOLTAGE:	250VAC	250VAC
WITHSTANDING VOLTAGE:	1,5KV	1,5KV
RATED POWER ACCEPTANCE:	---	1,6W
PROTECTION CLASS:	I o II	
CONTACT RESISTANCE:	5/10 mΩ MAX	

**MECHANICAL**  
 FUSE-LINK: 5x20 mm  
 PROTECTION RATE: IP00  
 SHOCKSAFE CATEGORY: PC1



适用线路板 (PCB LAYOUT)

X.±0.50	X.°±	PART NO:		<b>XFCN</b> 兴飞连接器	
.X±0.25	.X°±	PTF-15			
.XX±0.15	.XX°±	TITLE:		0769-82001899	
.XXX±0.10	.XXX°±	保险丝座 5x20mm 米色底座 白色		www.xfconn.com	
UNITS:	mm	盖子二件套 袋装		DWG NO: /	
THESE DRAWINGS AND SPECIFICATIONS ARE THE PROPERTY OF XFCN AND SHALL NOT BE REPRODUCED, COPIED OR CUED IN ANY MANNER WITHOUT THE PRIOR WRITTEN CONSENT OF XFCN		APPD		VIEW	
		CHKD		SCALE	SHEET
		DRAW	Wang		REV
		DATE	2024.04.25	NONE	NO