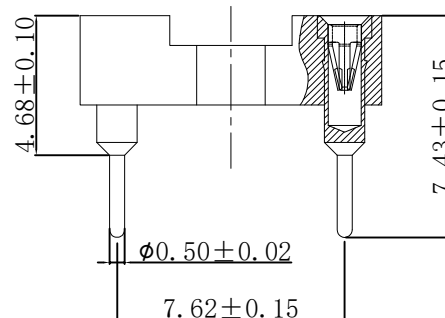
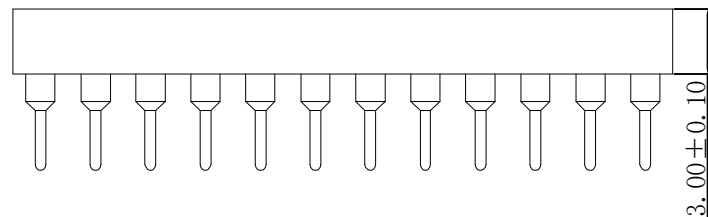
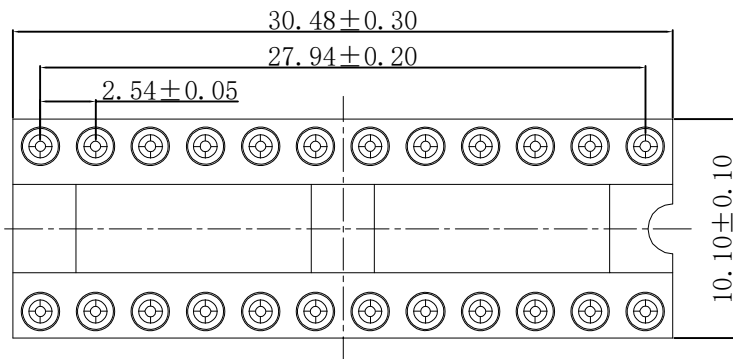


# RoHS

REV	ECN NO.	DESCRIPTION	DESIGN	APPROVAL	DATE
A1	NEW	更换图框			2023.11.25



### Technical Data

Material:

Contact Material: Copper Alloy

Contact Plating: Au or Sn Over Ni

Insulator Material: PBT/PPS UL94V-0

Electrical:

Rating current: 3Amps/contact max

Rating voltage: 60V AC/DC

Contact resistance: ≤4MΩ/contact

Insulation resistance: ≥1000MΩ

withstanding Voltage: 500V AC/minute

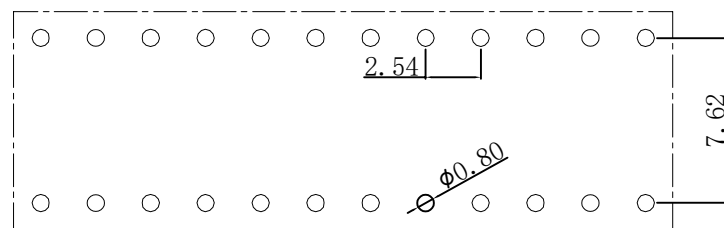
Mechanical:

Operating temperatures: Gold Plated: -55°C to +105°C

Tin Plated: -40°C to +105°C

Soldering temperature: +260°C MAX(PPS)

+255°C MAX(PBT)



## P. C. B LAYOUT

X.±0.50	X.°±
.XX±0.25	.X°±
.XX±0.15	.XX°±
.XXX±0.10	.XXX°±
UNITS:	mm

PART NO: IC254V-12-24-0743		<b>XFCN</b> 兴飞连接器		
TITLE: 2.54mm IC Socket Connectors		0769-82001899		
		www.xfconn.com		
		DWG NO: /		
APPD	Chen ZhiQiang	VIEW		
CHKD	Liu Wei	SCALE	SHEET	REV
DRAW	Chen HongJiang	NONE	1/1	A1
DATE	2024.05.18			

THESE DRAWINGS AND SPECIFICATIONS ARE THE PROPERTY OF XFCN AND SHALL NOT BE REPRODUCED, COPIED OR CUED IN ANY MANNER WITHOUT THE PRIOR WRITTEN CONSENT OF XFCN