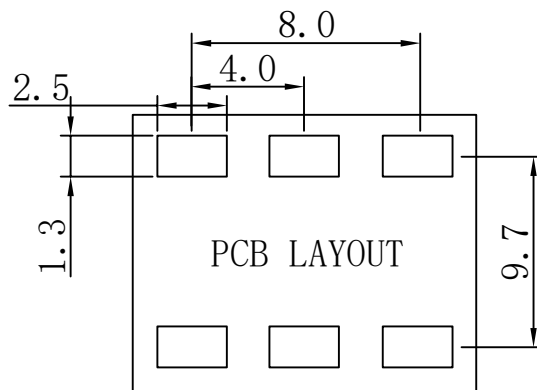
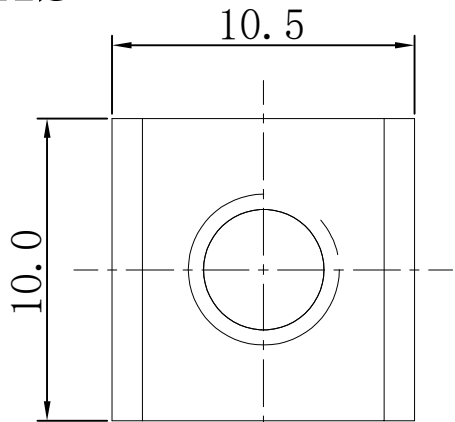


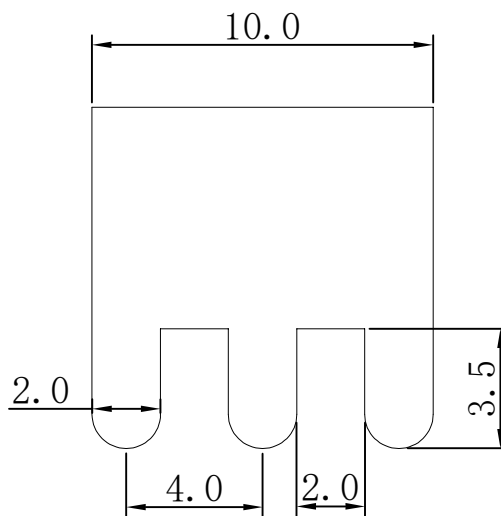
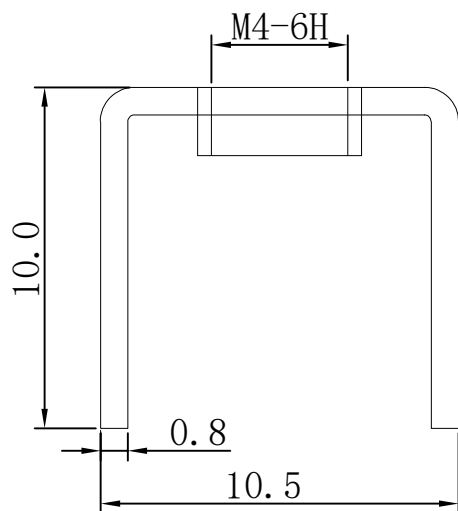
# RoHS

|      |         |             |        |          |            |
|------|---------|-------------|--------|----------|------------|
| REV. | ECN NO. | DESCRIPTION | DESIGN | APPROVAL | DATE       |
| A1   | NEW     | 更换图框        |        |          | 2023.09.03 |



技术要求:

- 1.打铜底0.5-1 $\mu$ m,镍2-2.5 $\mu$ m, 镀亮锡3-5 $\mu$ m。
- 2.铆好后不得有松动现象。
- 3.插脚尖部符合可焊性要求。
- 4.螺纹需符合通止规/止针要求。
- 5.螺纹扭矩: 1.2Nm.
- 6.额定电流: 50A.



|           |        |
|-----------|--------|
| >30.±0.4  | X.°±   |
| 6-30±0.3  | .X°±   |
| 0-6±0.2   | .XX°±  |
| ANGLES±1° | .XXX°± |
| UNITS:    | mm     |

|                               |                |                   |       |     |
|-------------------------------|----------------|-------------------|-------|-----|
| PART NO: T46004               |                | <b>XFCN 兴飞连接器</b> |       |     |
| TITLE: PCB SOLDERING TERMINAL |                | 0769-82001899     |       |     |
|                               |                | www.xfconn.com    |       |     |
|                               |                | DWG NO: /         |       |     |
| APPD                          | Chen ZhiQiang  | VIEW              |       |     |
| CHKD                          | Liu Wei        | SCALE             | SHEET | REV |
| DRAW                          | Chen HongJiang | NONE              | 1/1   | A1  |
| DATE                          | 2024.04.23     |                   |       |     |

THESE DRAWINGS AND SPECIFICATIONS ARE THE PROPERTY OF XFCN AND SHALL NOT BE REPRODUCED, COPIED OR CUED IN ANY MANNER WITHOUT THE PRIOR WRITTEN CONSENT OF XFCN

| 序号 | 名称 | 零件编号 | 材质       | 数量 |
|----|----|------|----------|----|
| 1  | 插脚 |      | H62 (Y2) | 1  |