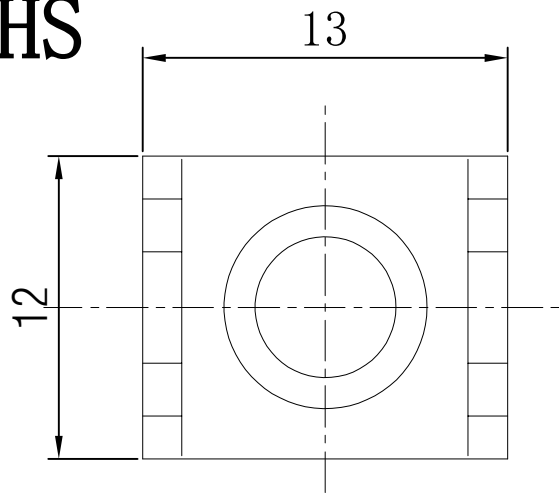
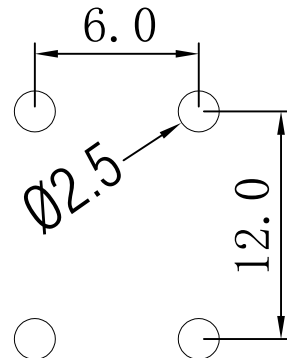


RoHS

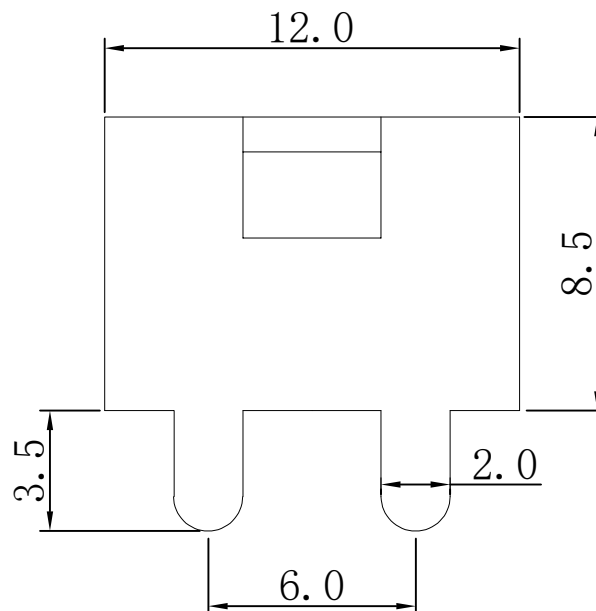
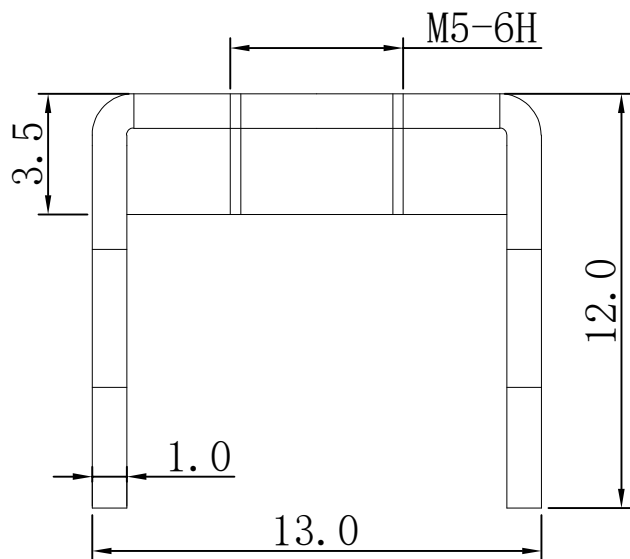


| REV. | ECN NO. | DESCRIPTION | DESIGN | APPROVAL | DATE |
|------|---------|-------------|--------|----------|------------|
| A1 | NEW | 更换图框 | | | 2023.09.03 |



技术要求:

- 1.打铜底0.5-1 μ m,镍2-2.5 μ m, 镀哑锡3-5 μ m。
- 2.铆好后不得有松动现象。
- 3.插脚尖部符合可焊性要求。
- 4.螺纹需符合通止规/止针要求。
- 5.螺纹扭矩: 2.0Nm.
- 6.额定电流: 60A.



| | |
|-----------|--------|
| >30.±0.4 | X.°± |
| 6-30±0.3 | .X°± |
| 0-6±0.2 | .XX°± |
| ANGLES±1° | .XXX°± |
| UNITS: | mm |

| | | | | | |
|----------|----------------|------------------------|-------|-------------------|--|
| PART NO: | | TT54130120-1200 | | XFCN 兴飞连接器 | |
| TITLE: | | PCB SOLDERING TERMINAL | | 0769-82001899 | |
| | | | | www.xfconn.com | |
| | | | | DWG NO: / | |
| APPD | Chen ZhiQiang | VIEW | | | |
| CHKD | Liu Wei | SCALE | SHEET | REV | |
| DRAW | Chen HongJiang | DATE | 1/1 | A1 | |
| DATE | 2024.04.23 | NONE | | | |

| | | | | |
|----|----|------|----------|----|
| 2 | 垫片 | | SPCC | 1 |
| 1 | 插脚 | | H62 (Y2) | 1 |
| 序号 | 名称 | 零件编号 | 材质 | 数量 |

THESE DRAWINGS AND SPECIFICATIONS ARE THE PROPERTY OF XFCN AND SHALL NOT BE REPRODUCED, COPIED OR CUED IN ANY MANNER WITHOUT THE PRIOR WRITTEN CONSENT OF XFCN