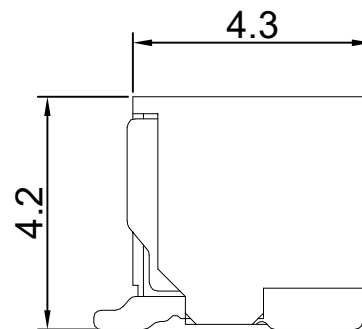
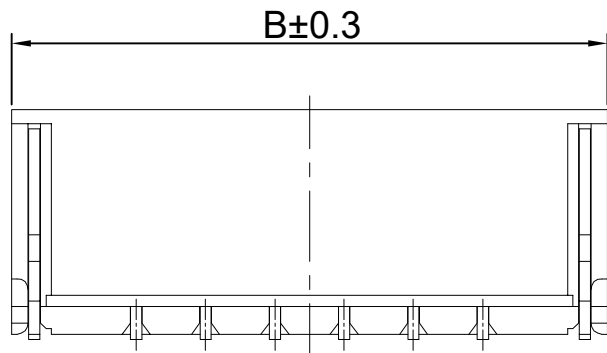


RoHS

REV	ECN NO.	DESCRIPTION	DESIGN	APPROVAL	DATE
A1	NEW	更换图框			2023.11.25



SPECIFICATIONS

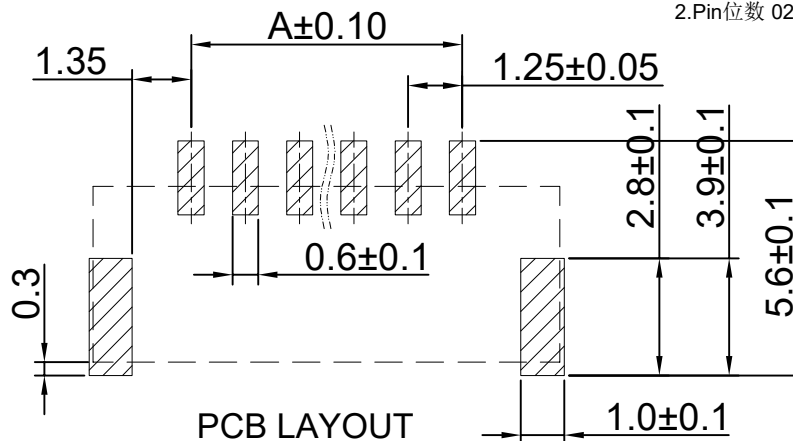
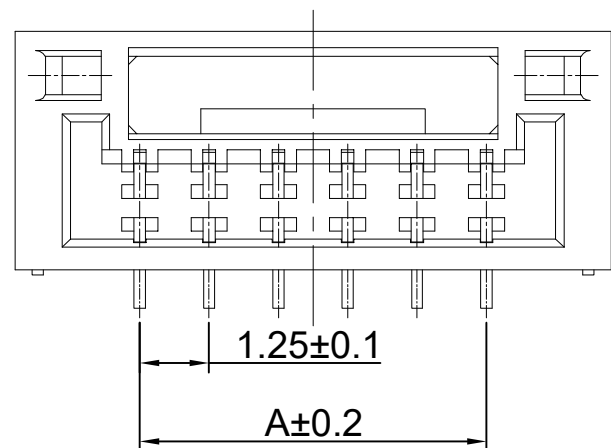
1. Current rating: 1A AC, DC
2. Temperature range: -40°C ~ +105°C
3. Insulation resistance: 100MΩ Min.
4. Withstanding voltage: 500V AC/ minute.
5. Contact resistance: 30mΩ Max.

Material:

Insulator: PA9T UL 94V-0
 Contact: Brass
 Plating: Plated Tin
 Circuits: 02~15P
 Mate with: XFCN P1257 series Housing
 Ordering Code:

M1257VS-XX
 1 2

1. 序列号
2. Pin位数 02-15P



No. of PIN/ROW	Dimension	
	A	B
2	1.25	5.75
3	2.50	7.00
4	3.75	8.25
5	5.00	9.50
6	6.25	10.75
7	7.50	12.00
8	8.75	13.25
9	10.00	14.50
10	11.25	15.75
11	12.50	17.00
12	13.75	18.25
13	15.00	19.50
14	16.25	20.75
15	17.50	22.00

X.±0.50	X.°±
.X±0.25	.X°±
.XX±0.15	.XX°±
.XXX±0.10	.XXX°±
UNITS:	mm

PART NO: M1257VS-XX

TITLE: 1.25mm Crimp Style Connectors

UNITS: mm

XFCN 兴飞连接器

0769-82001899
 www.xfconn.com

DWG NO:

THESE DRAWINGS AND SPECIFICATIONS ARE THE PROPERTY OF XFCN AND SHALL NOT BE REPRODUCED, COPIED OR CUED IN ANY MANNER WITHOUT THE PRIOR WRITTEN CONSENT OF XFCN

APPD: Chen ZhiQiang

CHKD: Liu Wei

DRAW: Chen HongJiang

DATE: 2024.08.02

VIEW:

SCALE: SHEET: REV

SCALE: NONE SHEET: 1/1 REV: A1

SCALE: NONE SHEET: 1/1 REV: A1