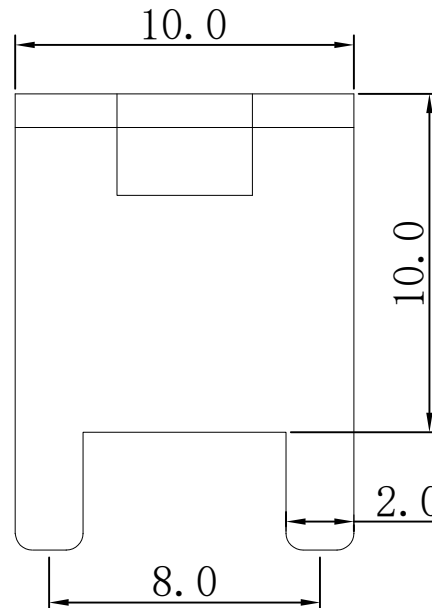
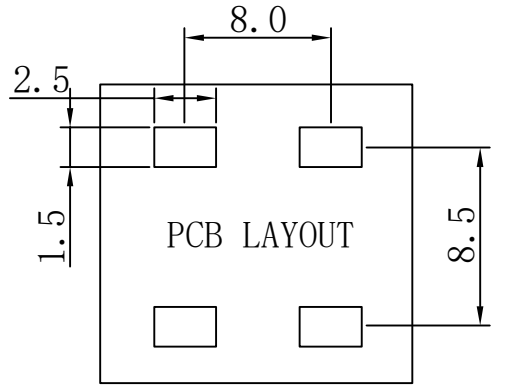
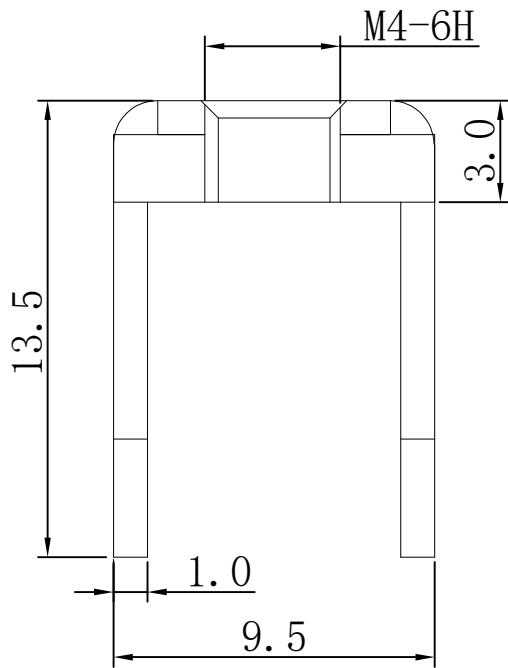
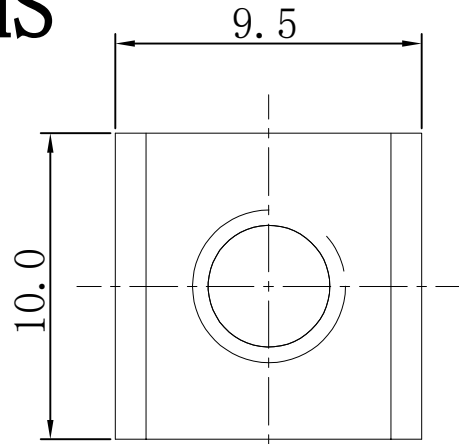


RoHS



技术要求:

- 1.打铜底0.5-1 $\mu$ m,镍2-2.5 $\mu$ m, 镀雾锡3-5 $\mu$ m。
- 2.铆好后不得有松动现象。
- 3.插脚尖部符合可焊性要求。
- 4.螺纹需符合通止规/止针要求。
- 5.螺纹扭矩: 1.4Nm.
- 6.额定电流: 60A.

| REV. | ECN NO. | DESCRIPTION | DESIGN | APPROVAL | DATE       |
|------|---------|-------------|--------|----------|------------|
| A1   | NEW     | 更换图框        |        |          | 2023.09.03 |

|           |        |
|-----------|--------|
| >30.±0.4  | X.°±   |
| 6-30±0.3  | .X°±   |
| 0-6±0.2   | .XX°±  |
| ANGLES±1° | .XXX°± |
| UNITS:    | mm     |

|          |                |                        |       |                   |  |
|----------|----------------|------------------------|-------|-------------------|--|
| PART NO: |                | TT44095100-1350        |       | <b>XFCN 兴飞连接器</b> |  |
| TITLE:   |                | PCB SOLDERING TERMINAL |       | 0769-82001899     |  |
|          |                |                        |       | www.xfconn.com    |  |
|          |                |                        |       | DWG NO: /         |  |
| APPD     | Chen ZhiQiang  | VIEW                   |       |                   |  |
| CHKD     | Liu Wei        | SCALE                  | SHEET | REV               |  |
| DRAW     | Chen HongJiang | SCALE                  | 1/1   | A1                |  |
| DATE     | 2024.04.23     | NONE                   |       |                   |  |

THESE DRAWINGS AND SPECIFICATIONS ARE THE PROPERTY OF XFCN AND SHALL NOT BE REPRODUCED, COPIED OR CUED IN ANY MANNER WITHOUT THE PRIOR WRITTEN CONSENT OF XFCN

|    |    |      |          |    |
|----|----|------|----------|----|
| 2  | 垫片 |      | SPCC     | 1  |
| 1  | 插脚 |      | H62 (Y2) | 1  |
| 序号 | 名称 | 零件编号 | 材质       | 数量 |