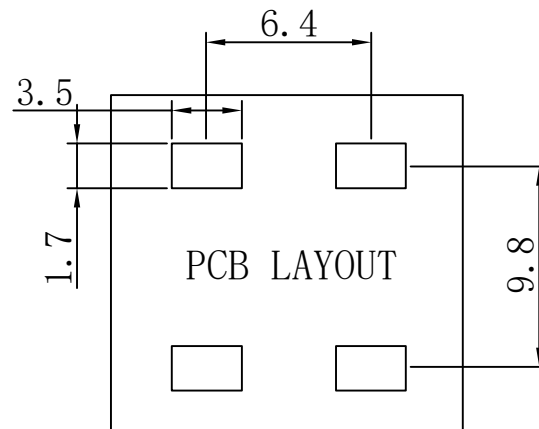
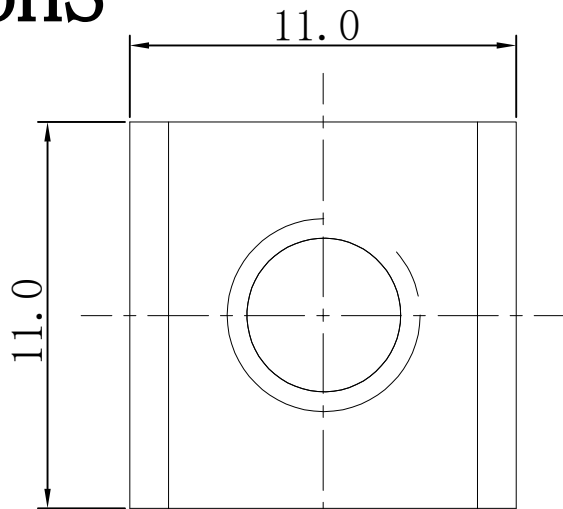
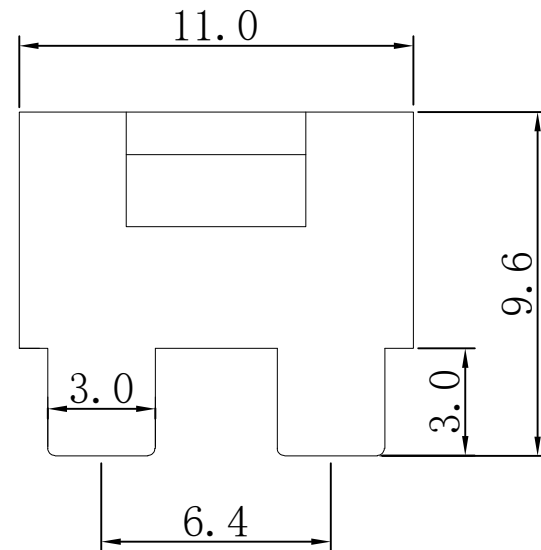
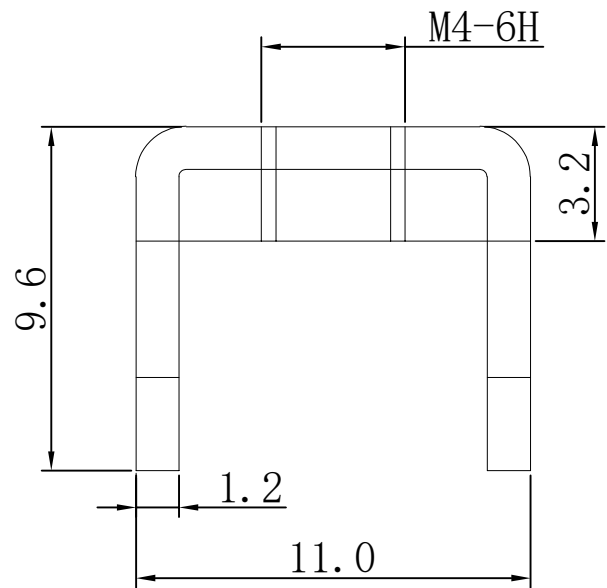


RoHS

REV.	ECN NO.	DESCRIPTION	DESIGN	APPROVAL	DATE
A1	NEW	更换图框			2023.09.03



- 技术要求:
- 1.打铜底0.5-1 μ m,镍2-2.5 μ m, 镀雾锡3-5 μ m。
 - 2.铆好后不得有松动现象。
 - 3.插脚尖部符合可焊性要求。
 - 4.螺纹需符合通止规/止针要求。
 - 5.螺纹扭矩: 1.4Nm.
 - 6.额定电流: 80A.



>30.±0.4	X.°±
6-30±0.3	.X°±
0-6±0.2	.XX°±
ANGLES±1°	.XXX°±
UNITS:	mm

PART NO:	TT44110110-0960	XFCN 兴飞连接器	
TITLE:	PCB SOLDERING TERMINAL	0769-82001899	
		www.xfconn.com	
		DWG NO: /	

THESE DRAWINGS AND SPECIFICATIONS ARE THE PROPERTY OF XFCN AND SHALL NOT BE REPRODUCED, COPIED OR CUED IN ANY MANNER WITHOUT THE PRIOR WRITTEN CONSENT OF XFCN

2	垫片		SPCC	1
1	插脚		H62 (Y2)	1
序号	名称	零件编号	材质	数量

APPD	Chen ZhiQiang	VIEW		
CHKD	Liu Wei	SCALE	SHEET	
DRAW	Chen HongJiang	DATE	1/1	REV
DATE	2024.04.23	NONE		A1