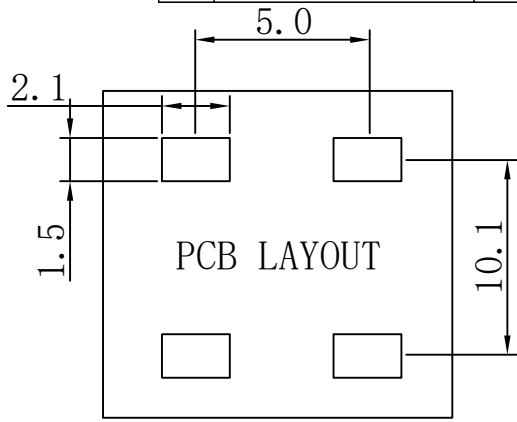
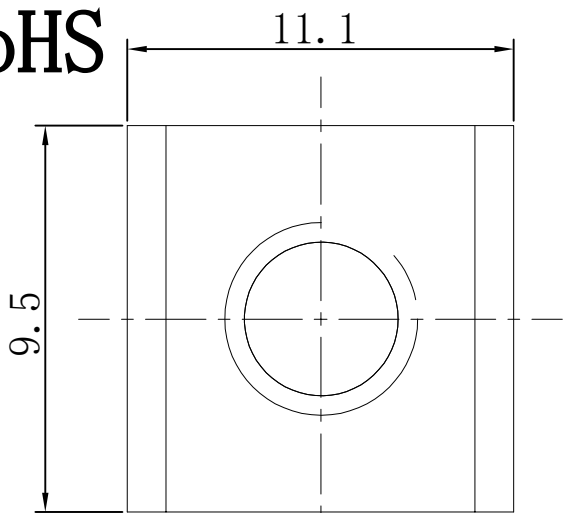
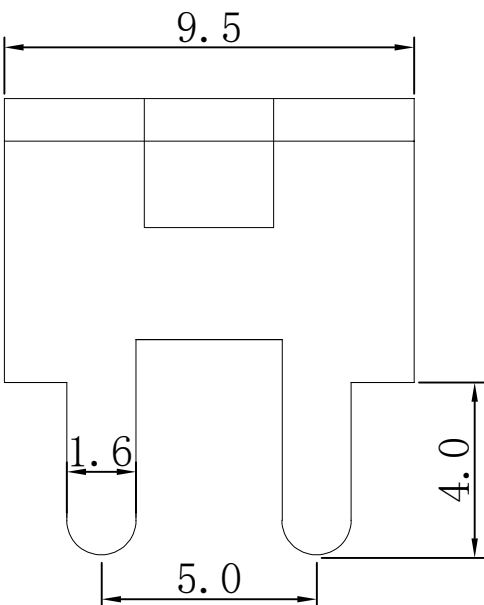
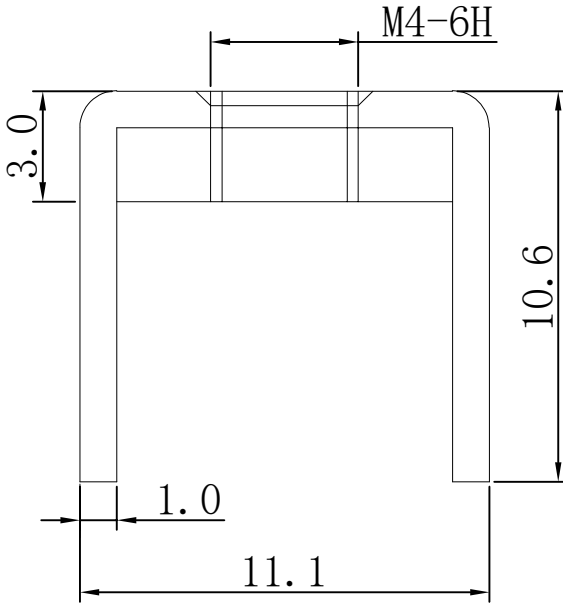


RoHS



- 技术要求:
- 1.打铜底0.5-1 $\mu$ m,镍2-2.5 $\mu$ m, 镀雾锡3-5 $\mu$ m。
  - 2.铆好后不得有松动现象。
  - 3.插脚尖部符合可焊性要求。
  - 4.螺纹需符合通止规/止针要求。
  - 5.螺纹扭矩: 1.2Nm.
  - 6.额定电流: 60A.



>30.±0.4	X.°±
6-30±0.3	.X°±
0-6±0.2	.XX°±
ANGLES±1°	.XXX°±
UNITS:	mm

PART NO:		TT44111095-1060	
TITLE:		PCB SOLDERING TERMINAL	
APPD	Chen ZhiQiang	VIEW	
CHKD	Liu Wei	SCALE	SHEET
DRAW	Chen HongJiang	1/1	REV
DATE	2024.04.23	NONE	A1

<b>XFCN 兴飞连接器</b>	
0769-82001899	
www.xfconn.com	
DWG NO: /	

2	垫片		SPCC	1
1	插脚		H62 (Y2)	1
序号	名称	零件编号	材质	数量

THESE DRAWINGS AND SPECIFICATIONS ARE THE PROPERTY OF XFCN AND SHALL NOT BE REPRODUCED, COPIED OR CUED IN ANY MANNER WITHOUT THE PRIOR WRITTEN CONSENT OF XFCN

8	7	6	5	4	3	2	1		
				REV.	ECN NO.	DESCRIPTION	DESIGN	APPROVAL	DATE
				A1	NEW	更换图框			2023.09.03
E									E
D									D
C									C
B									B
A									A
8	7	6	5	4	3	2	1		