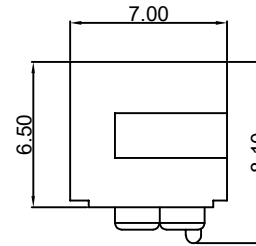
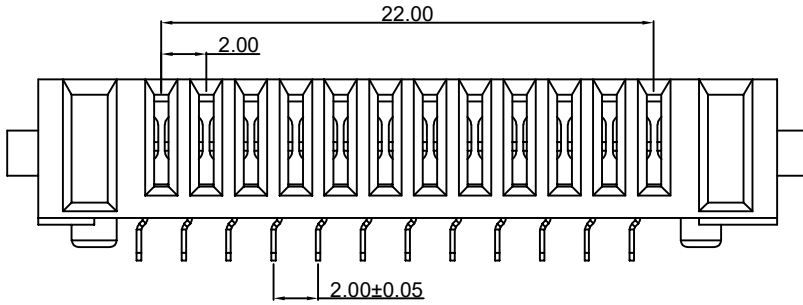
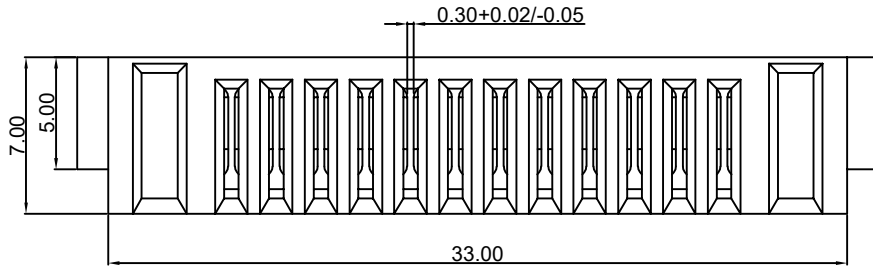


RoHS

REV	ECN NO.	DESCRIPTION	DESIGN	APPROVAL	DATE
A1	NEW	更换图框			2023.11.25

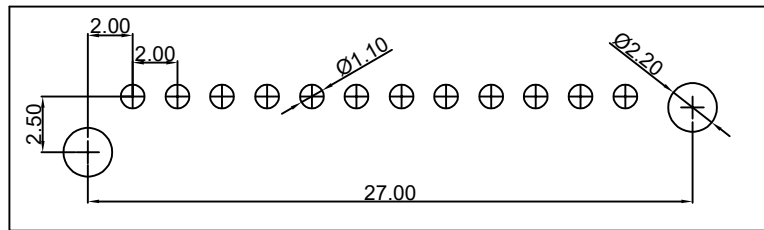
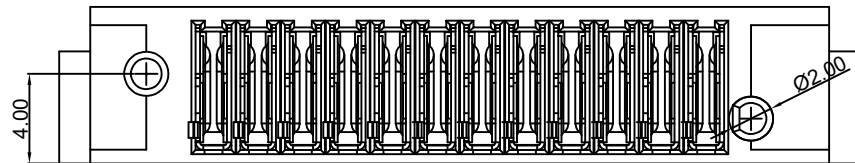


SPECIFICATIONS

- Current rating: 7A
- Temperature range: -40°C ~ +85°C
- Insulation resistance: 100MΩ Min.
- Withstanding voltage: 500V AC/ minute.
- Contact resistance: 30mΩ Max.

Material:

Insulator Material: PA46 (UL 94V-0)
 Contact Material: Phosphor Bronze C5191
 Plating: Nickel Low, gold plated surface
 Mate with XFCN DCZ12-00F1-3010-A



PCB LAYOUT

X. 0.3	X.°±
. X±0.2	.X°±
. XX±0.08	.XX°±
. XXX±0.03	.XXX°±
UNITS:	mm

PART NO:		DCZ12-00F1-3100-A		XFCN 兴飞连接器	
TITLE:		2.0mm Stand Battery Block		0769-82001899	
				www.xfconn.com	
UNITS:		mm		DWG NO: /	
APPD	Chen ZhiQiang	VIEW			
CHKD	Liu Wei	SCALE	SHEET	REV	
DATE	2024.08.14	NONE	1/1	A1	

THESE DRAWINGS AND SPECIFICATIONS ARE THE PROPERTY OF XFCN AND SHALL NOT BE REPRODUCED, COPIED OR CUED IN ANY MANNER WITHOUT THE PRIOR WRITTEN CONSENT OF XFCN