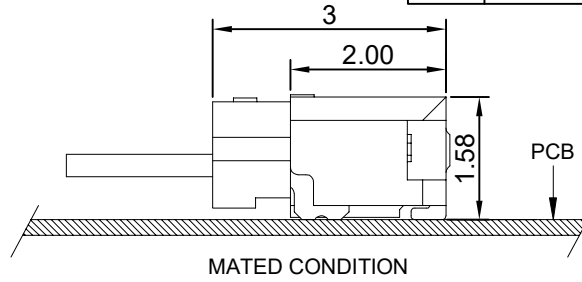
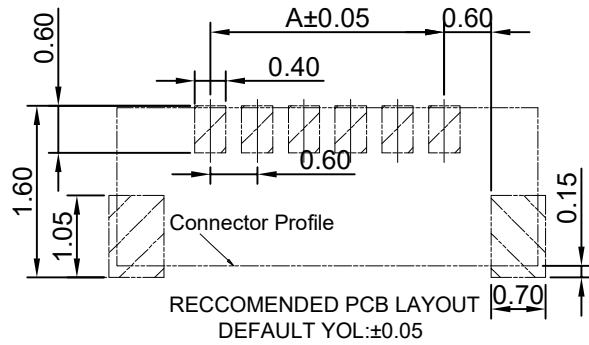


RoHS

REV	ECN NO.	DESCRIPTION	DESIGN	APPROVAL	DATE
A1	NEW	更换图框			2023.11.25

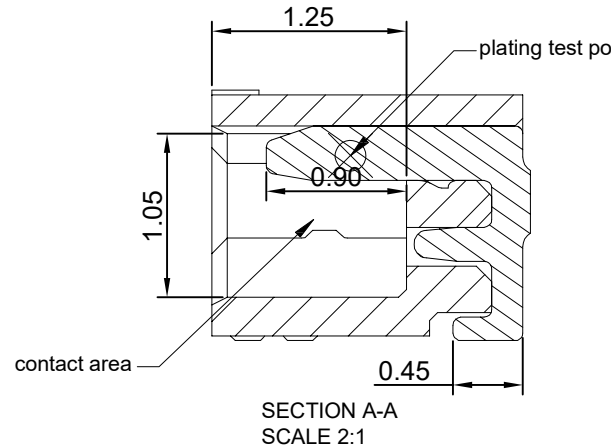
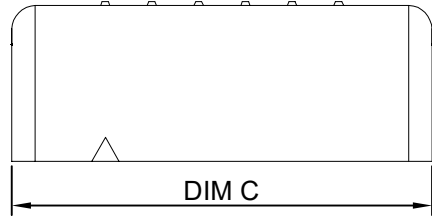


SPECIFICATIONS
 Current rating: 0.2A, AC, DC
 Voltage rating: 30V AC, DC
 Temperature range: -25°C ~ +85°C
 Insulation resistance: 100MΩ Min.
 Withstanding voltage: 200V AC/ minute
 Contact resistance: 30mΩ Max.

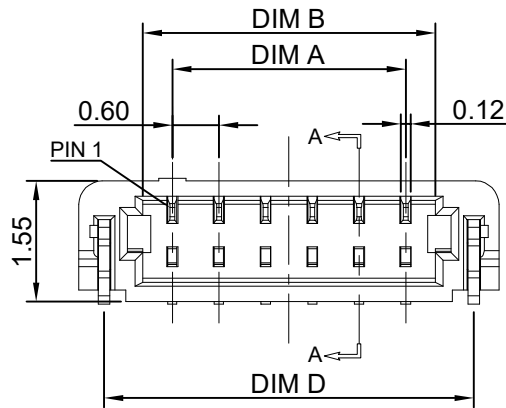
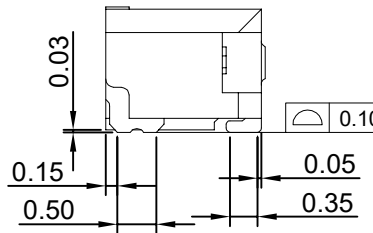
Material:
 Insulator: LCP UL 94V-0 Black
 Contact: Phosphor bronze or Brass
 Finish: Plated Tin or Plated Gold
 Circuits: 2-16P
 Mate with: XFCN M0611HI series Housing
 Ordering Code:

M0611RS-xx-GB

Pin位数 2-16P



No. of PIN/ROW	Dimension			
	A	B	C	D
2	0.60	1.36	3.00	2.35
4	1.80	2.56	4.20	3.55
5	2.40	3.16	4.80	4.15
6	3.00	3.76	5.40	4.75
7	3.60	4.36	6.00	5.35
8	4.20	4.96	6.60	5.95
10	5.40	6.16	7.80	7.15
12	6.60	7.36	9.00	8.35
14	7.80	8.56	10.20	9.55
16	9.00	9.76	11.40	10.75



X.±0.50	X.°±
.X±0.25	.X°±
.XX±0.15	.XX°±
.XXX±0.10	.XXX°±
UNITS:	mm

PART NO: M0611RS-xx-GB

TITLE: 0.60mm IDC Style Connectors

APPD: Chen ZhiQiang

CHKD: Liu Wei

DRAW: Chen HongJiang

DATE: 2024.07.13

XFCN 兴飞连接器

0769-82001899

www.xfconn.com

DWG NO:

VIEW:

SCALE: SHEET: REV

1/1 A1

THESE DRAWINGS AND SPECIFICATIONS ARE THE PROPERTY OF XFCN AND SHALL NOT BE REPRODUCED, COPIED OR CUED IN ANY MANNER WITHOUT THE PRIOR WRITTEN CONSENT OF XFCN