

RoHS

REV	ECN NO.	DESCRIPTION	DESIGN	APPROVAL	DATE
A1	NEW	更换图框			2024.05.24

Technical Data

Material:

Contact Material: Copper Alloy

Contact Plating: Au 1u

Insulator Material: PPS UL94V-0

Electrical:

Rating current: 3Amps/contact max

Rating voltage: 60V AC/DC

Contact resistance: $\leq 20\text{M}\Omega$ /contact

Insulation resistance: $\geq 1000\text{M}\Omega$

withstanding Voltage: 1000V AC/minute

Mechanical:

Operating temperatures: -40°C to $+105^\circ\text{C}$

Soldering temperature: $+255^\circ\text{C}$ MAX(PPS)

Mate with XFCN MF254 Double Row series

Ordering Code:

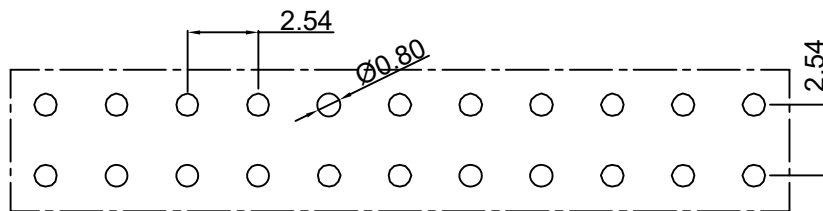
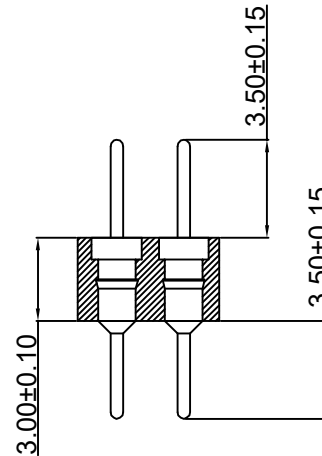
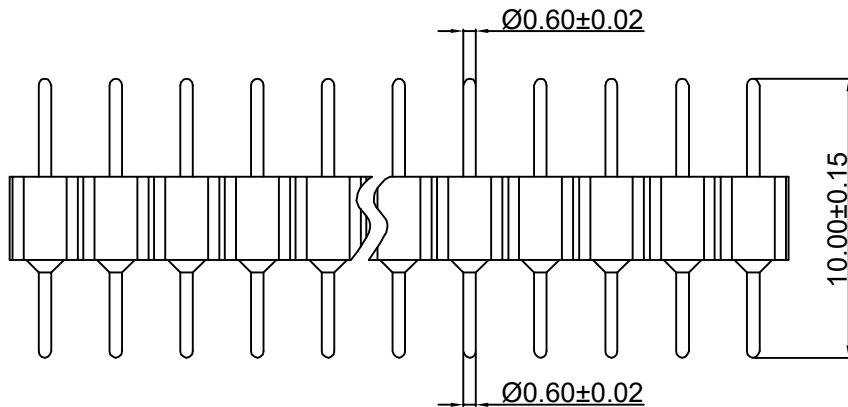
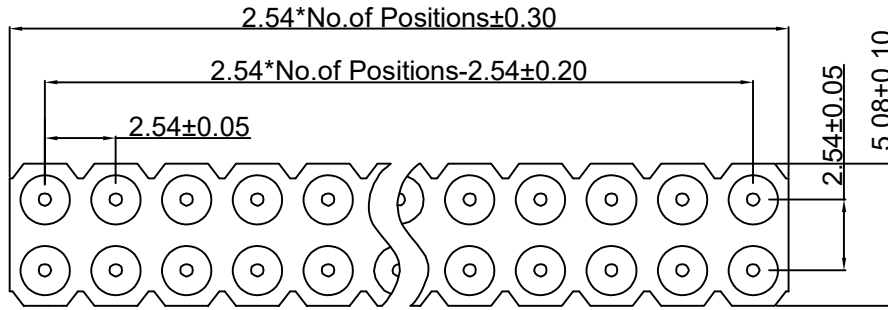
MH254V-12-XX-1000

1 2

1. 序列号

2. Pin位数: 2x02=04P

2x10=20P



P.C.B LAYOUT

X.±0.50	X.°±
.X±0.25	.X°±
.XX±0.15	.XX°±
.XXX±0.10	.XXX°±
UNITS:	mm

THESE DRAWINGS AND SPECIFICATIONS ARE THE PROPERTY OF XFCN AND SHALL NOT BE REPRODUCED, COPIED OR CUED IN ANY MANNER WITHOUT THE PRIOR WRITTEN CONSENT OF XFCN

PART NO:		MH254V-12-XX-1000		XFCN 兴飞连接器	
TITLE:		2.54mm Machined Pin Header		0769-82001899	
				www.xfconn.com	
UNITS:		mm		DWG NO:	
APPD	Chen ZhiQiang	VIEW			
CHKD	Liu Wei	SCALE	SHEET	REV	
DRAW	Chen HongJiang	SCALE	1/1	A1	
DATE	2024.09.10	NONE			